

1

2

3

4

5

A

A

B

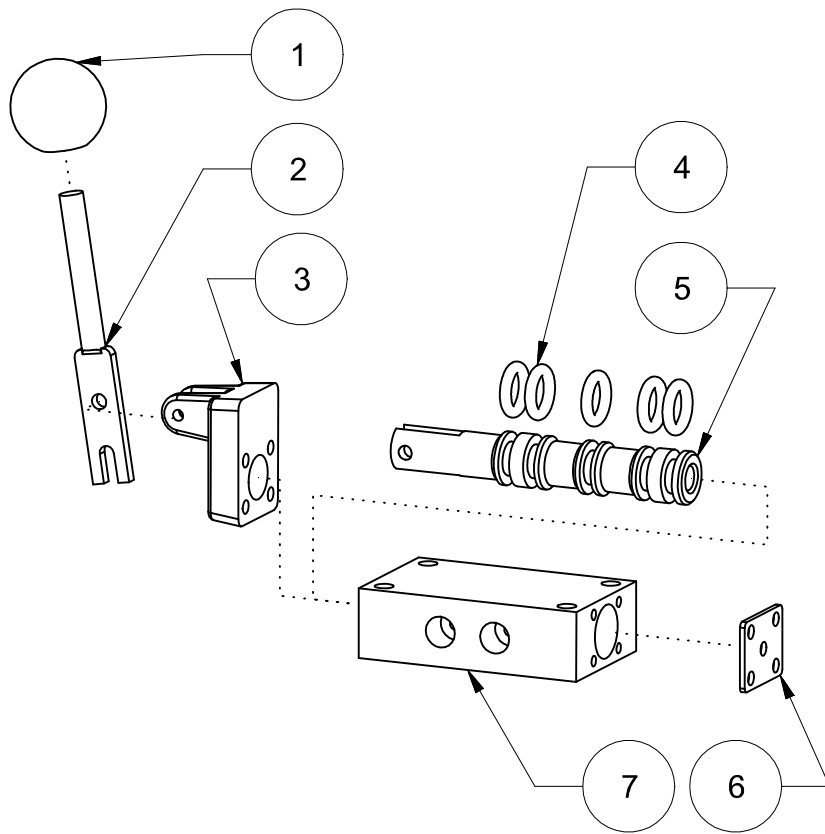
B

C

C

D

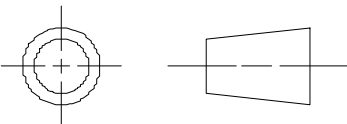
D



7	BLOCK	1
6	END_PLATE	1
5	SPOOL	1
4	O-RING2	5
3	FULCRUM	1
2	OPERATING_LEVER	1
1	KNOB	1
PC NO	PART NAME	QTY

SIEMENS

THIS DRAWING HAS BEEN PRODUCED USING AN EXAMPLE
TEMPLATE PROVIDED BY SIEMENS PLM SOFTWARE



FIRST ISSUED		TITLE	
DRAWN BY		SIZE A	
CHECKED BY			
APPROVED BY		DRG NO. HW_08_HEWITT	
		SHEET REV A	

ALL DIMENSIONS IN INCHES

SCALE 1:1

SHEET 1 OF 1

1

2

3

4

A