

1

2

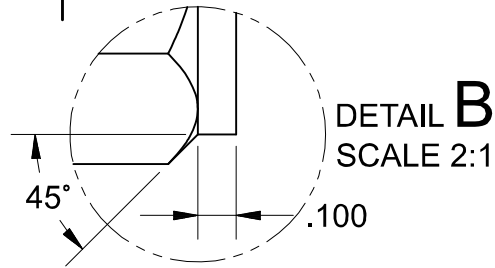
3

4

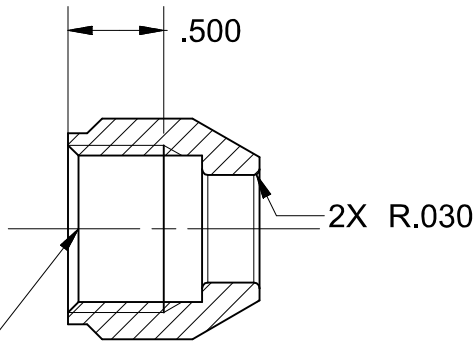
5

A

A

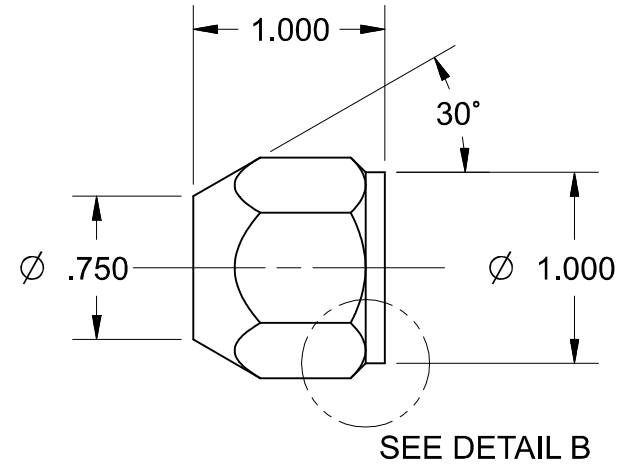
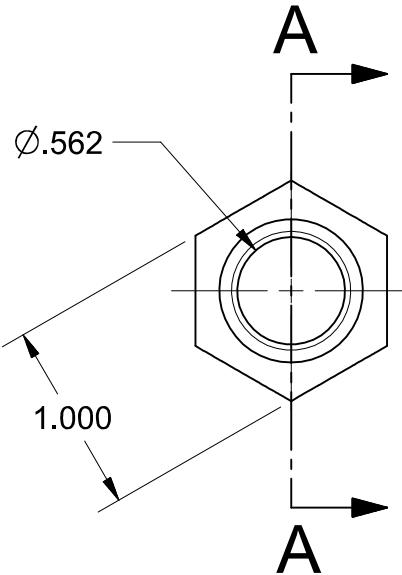


SECTION A-A



$\frac{7}{8}$ -9 UNC-2B ∇ .500

TAP DRILL: ϕ .766 ∇ .700



B

B

C

C

SIEMENS		THIS DRAWING HAS BEEN PRODUCED USING AN EXAMPLE TEMPLATE PROVIDED BY SIEMENS PLM SOFTWARE			
		TITLE			
FIRST ISSUED		SIZE		DRG NO.	SHEET REV
DRAWN BY		A		AC NUT	A
CHECKED BY		SCALE 1:1		SHEET 1 OF 1	
APPROVED BY					

ALL DIMENSIONS IN INCHES

1

2

3

4

A

D

D