

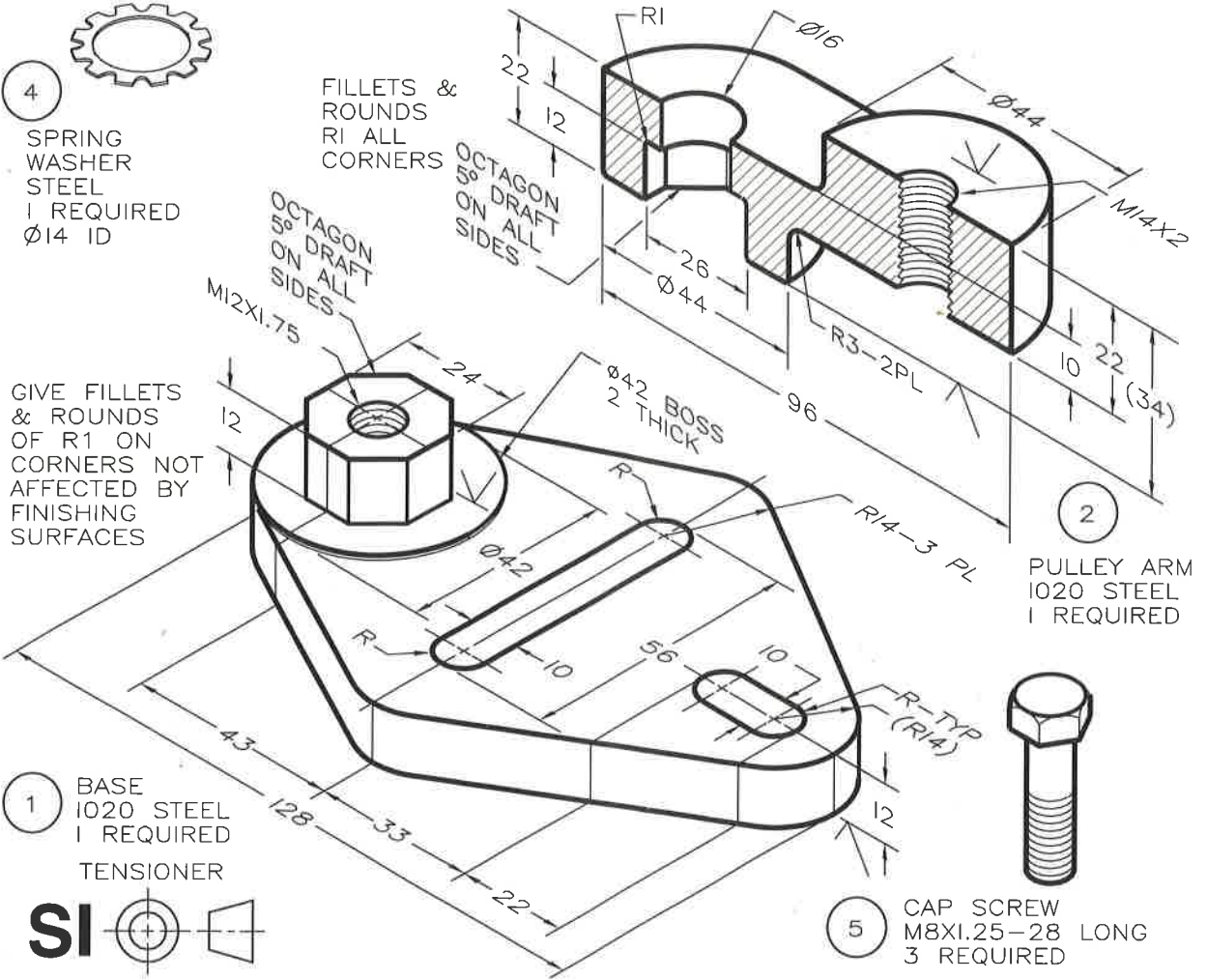
3
BOLT—STEEL
M12X1.75
1 REQUIRED
38 LONG



6
BOLT—STEEL
M14X2—1 REQ
44 LONG
(TO HOLD
SPROCKET—
NOT SHOWN)



4
SPRING
WASHER
STEEL
1 REQUIRED
Ø14 ID



23.65 Make working drawings with an assembly of this tensioner on size B sheets.