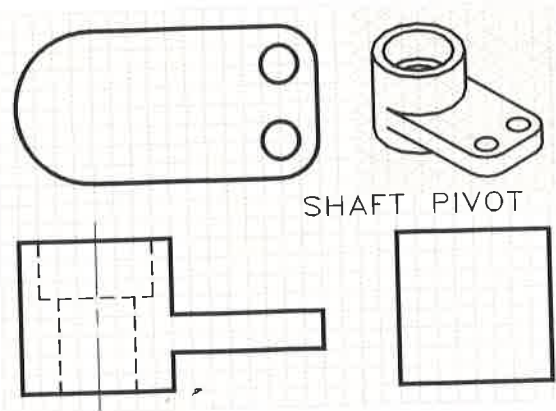
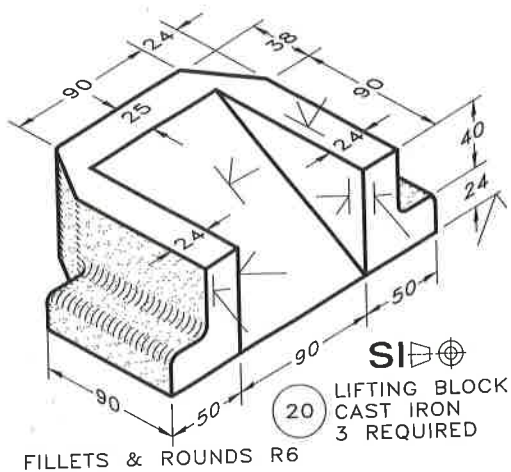


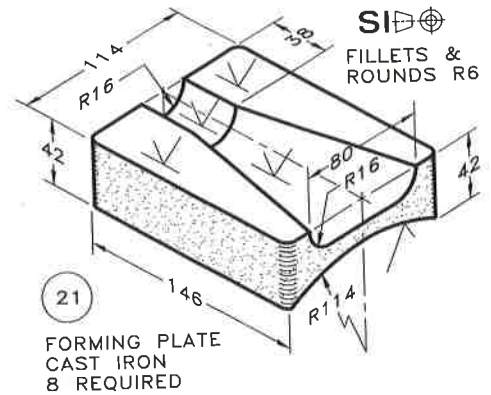
14.84 Problem 15.



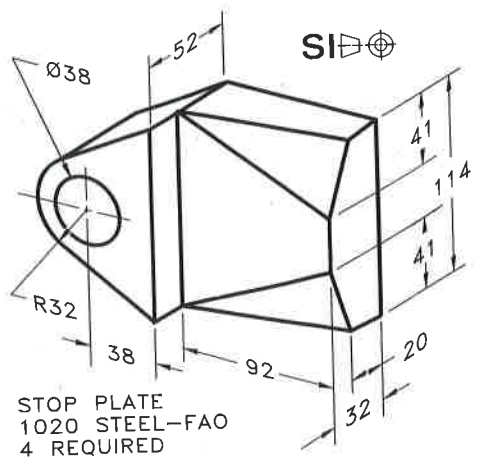
14.85 Problem 16.



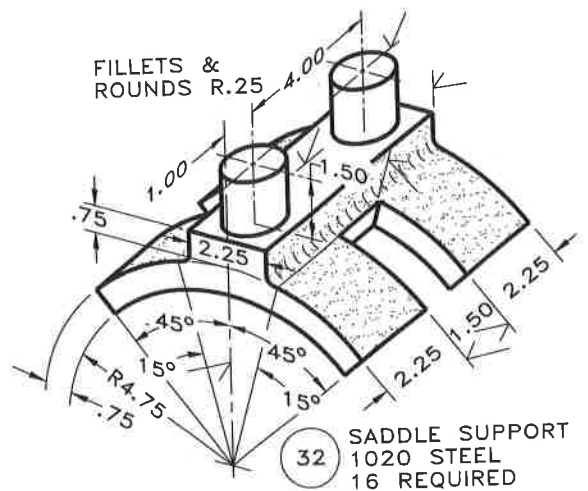
14.86



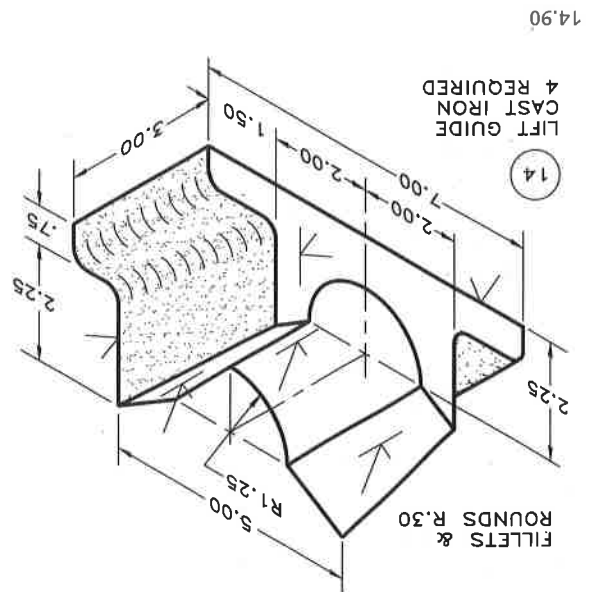
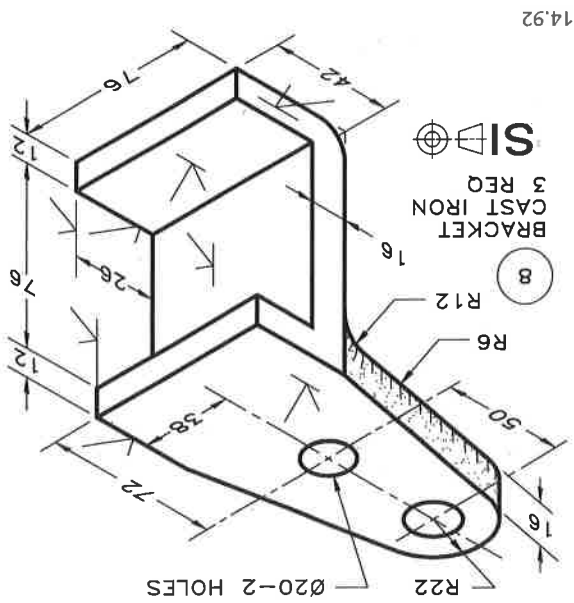
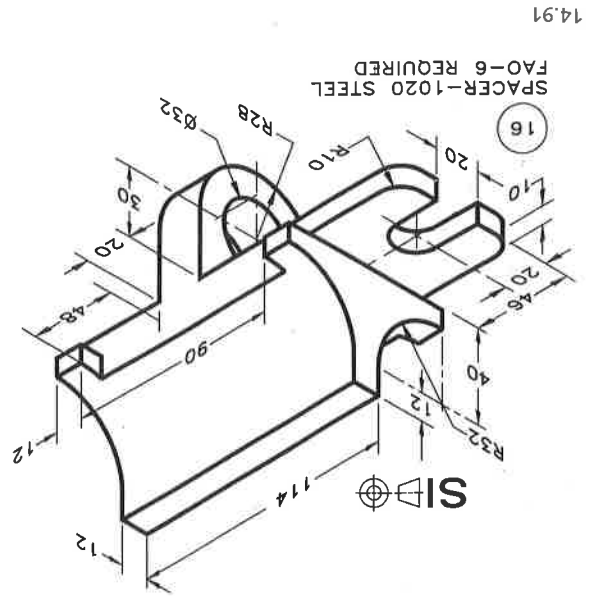
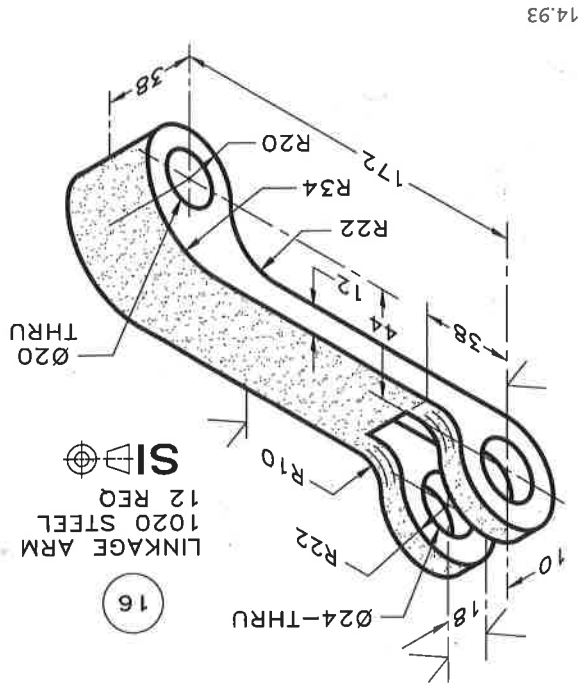
14.87

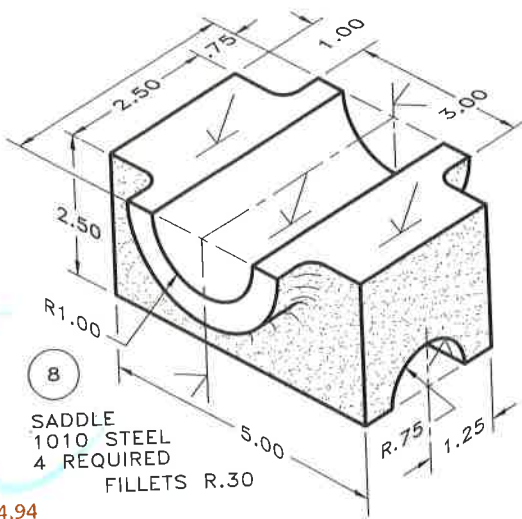


14.88

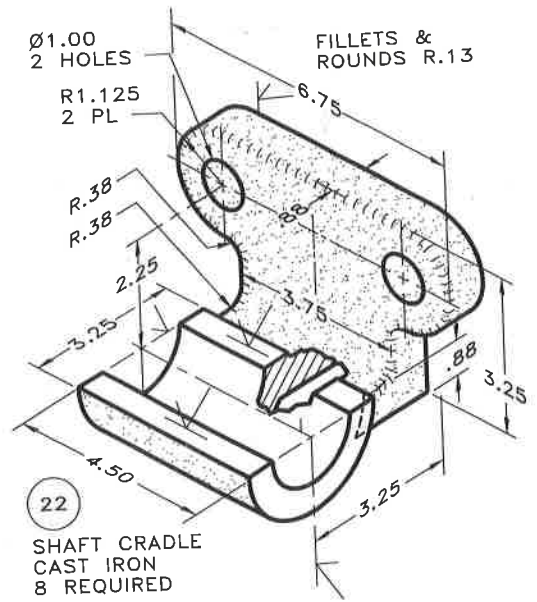


14.89

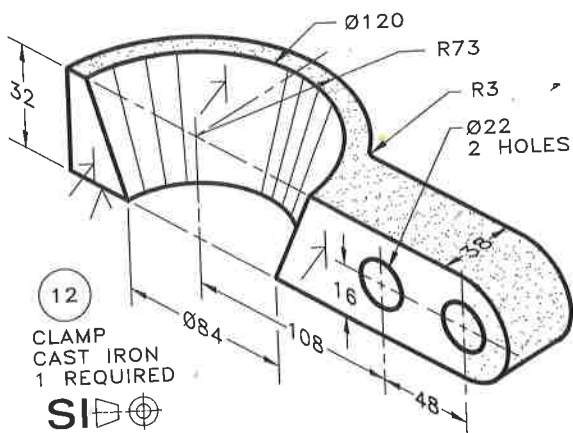




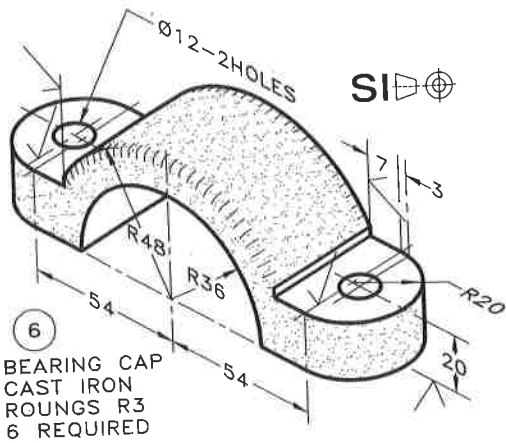
14.94



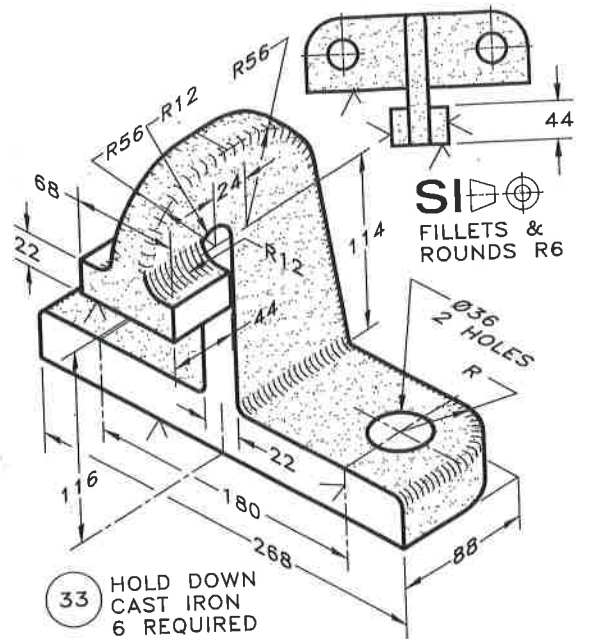
14.97



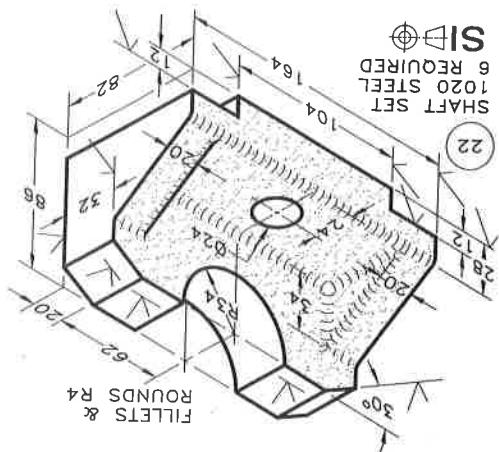
14.95



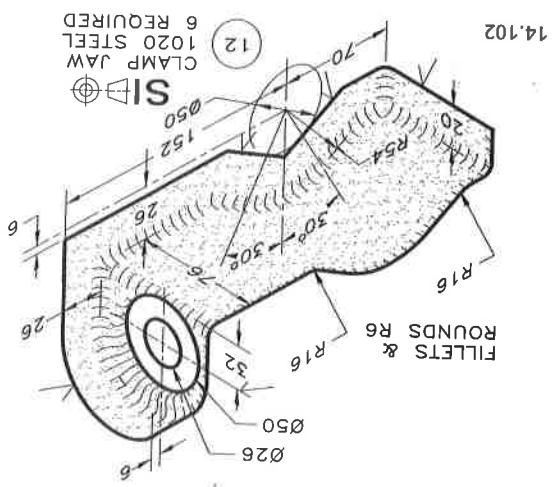
14.96



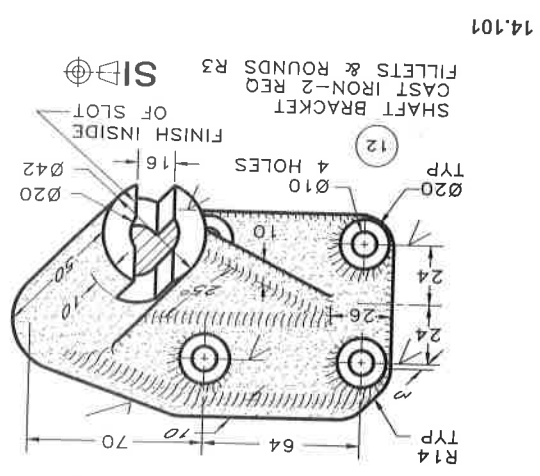
14.98



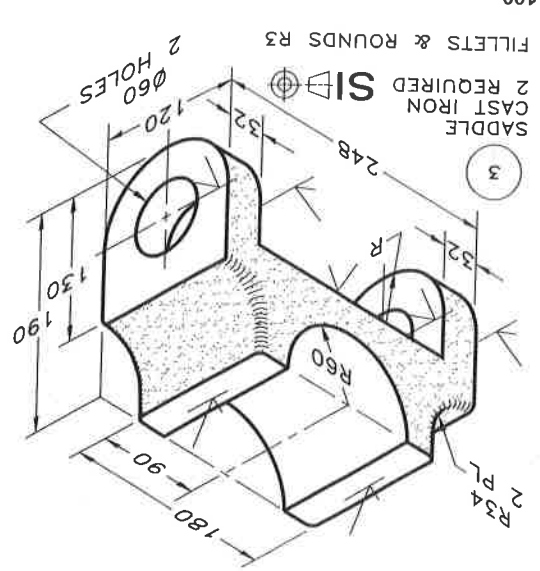
14.103



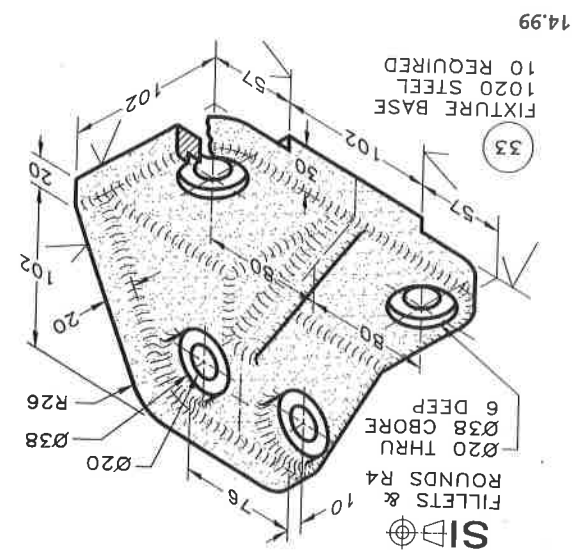
14.102



14.101

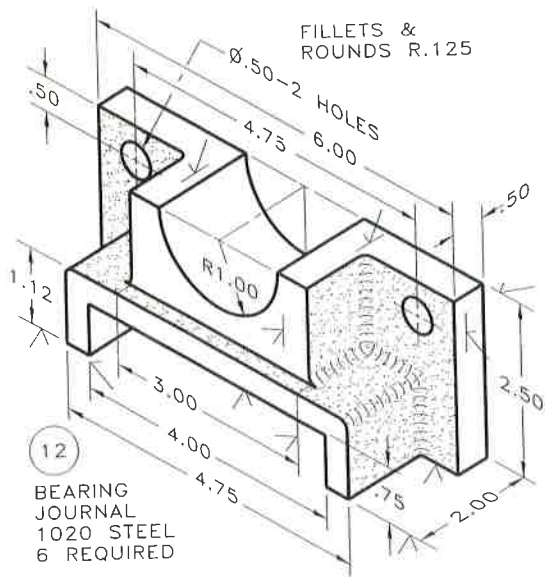


14.100

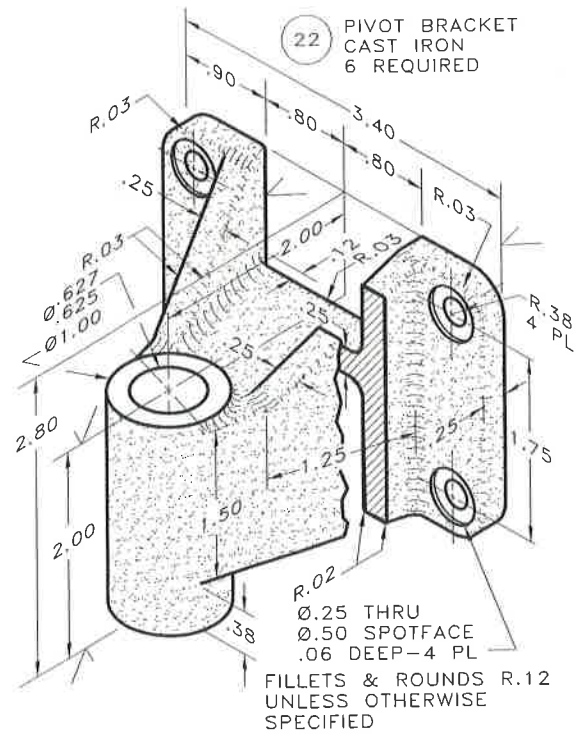


14.99

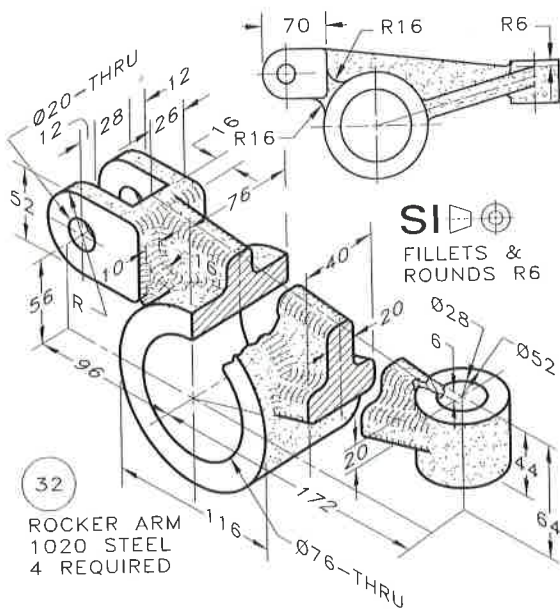




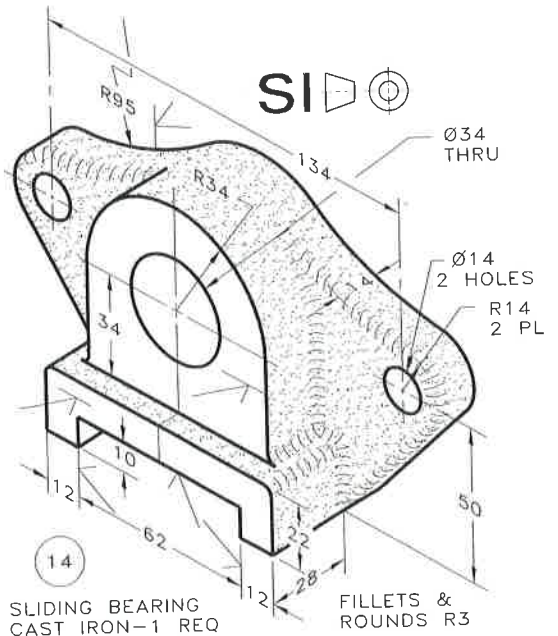
14.104



14.106



14.105



14.107