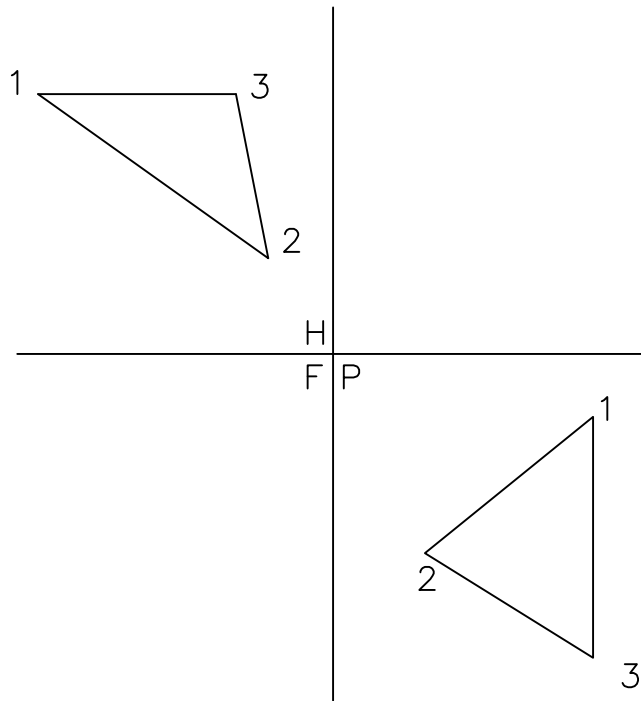


Draw the missing views of each plane.  
Label all planes "TS" that appear in their true size.

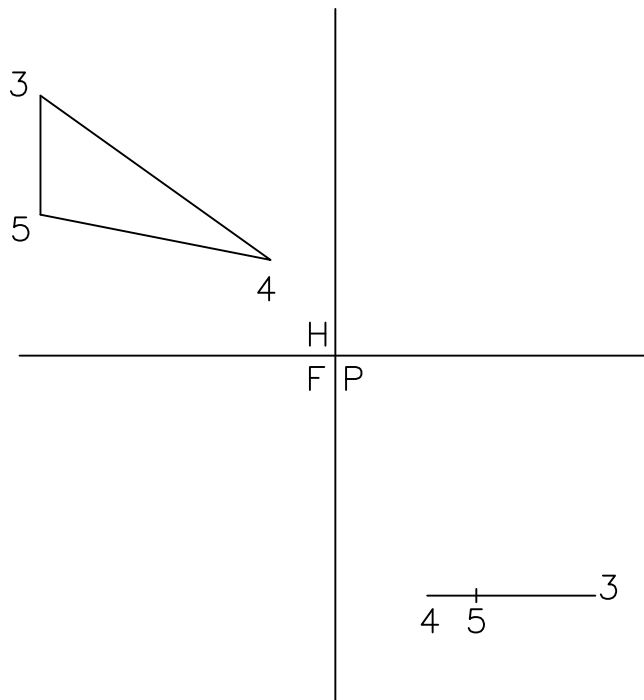
Problem

1



Problem

2

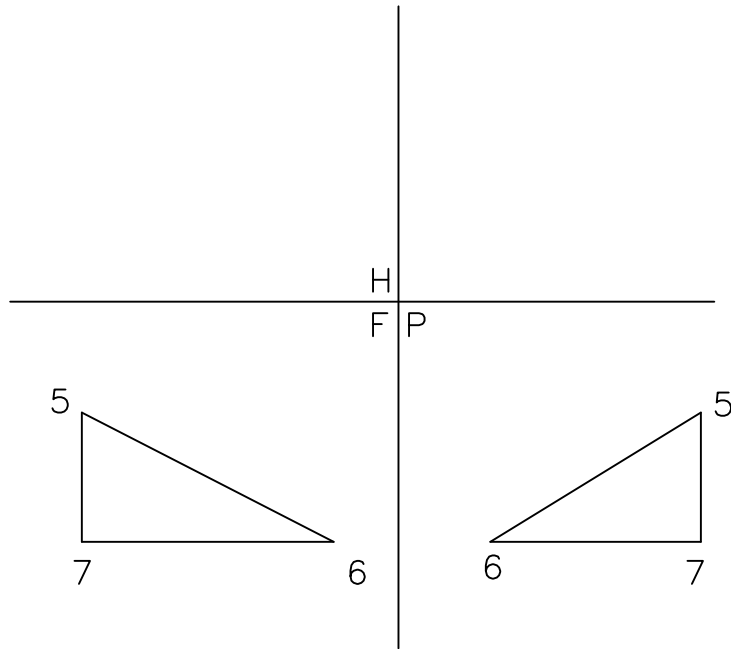


SHEET 025a  
GRADE \_\_\_\_\_

Draw the missing views of each plane.  
Label all planes "TS" that appear in their true size.

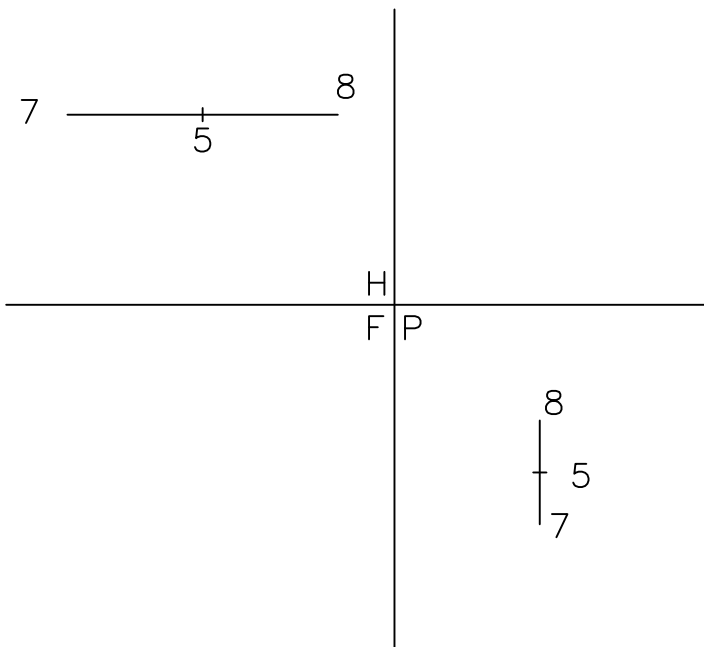
Problem

3



Problem

4

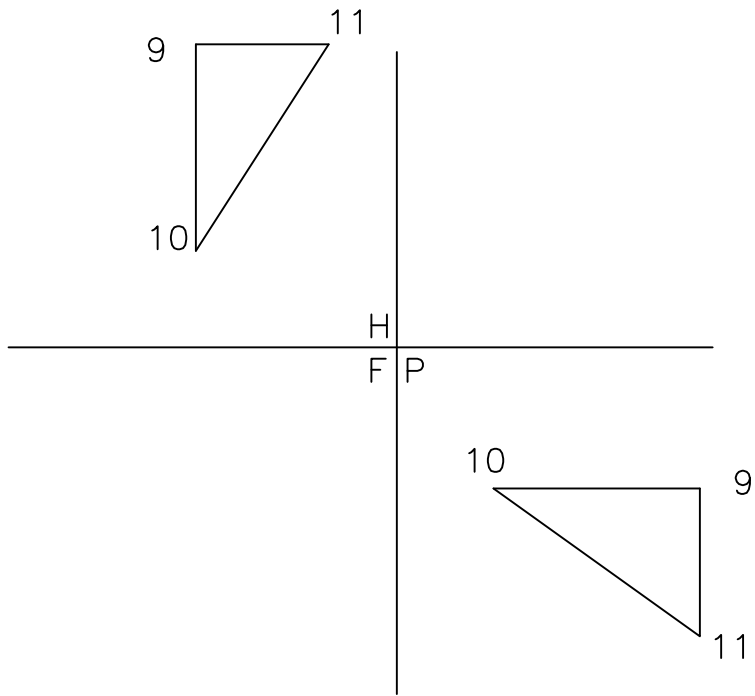


SHEET 025b

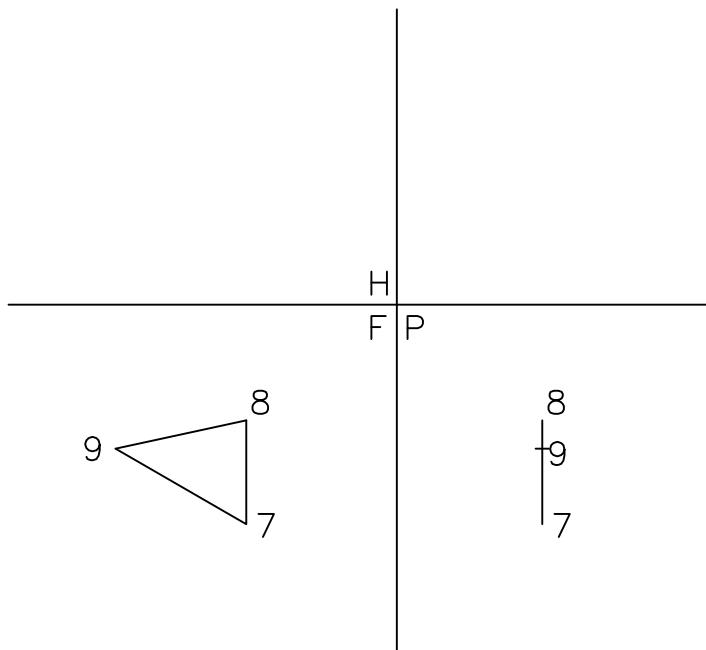
GRADE \_\_\_\_\_

Draw the missing views of each plane.  
Label all planes "TS" that appear in their true size.

Problem  
5



Problem  
6



SHEET 025c  
GRADE \_\_\_\_\_